



**DG0646R**

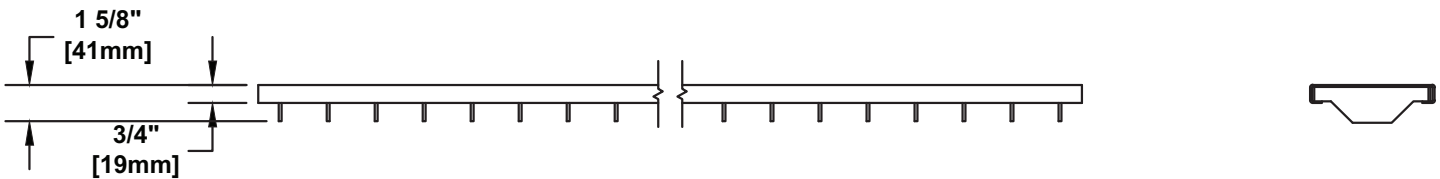
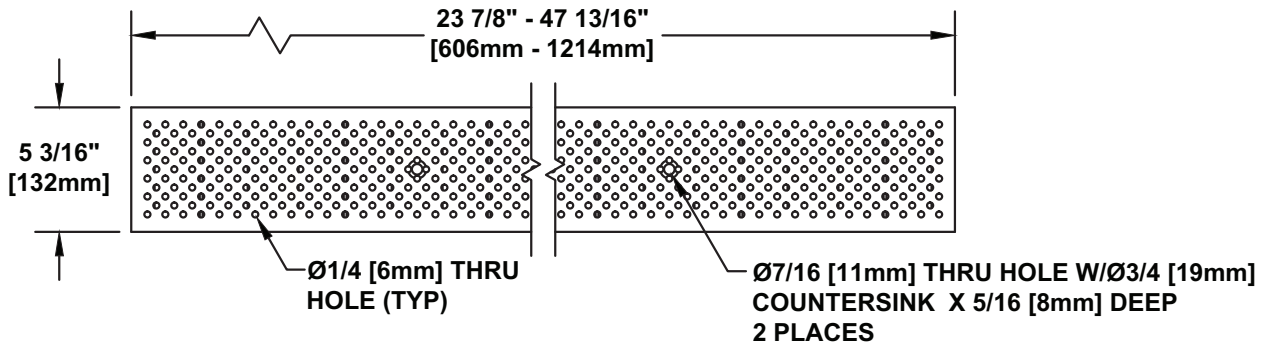
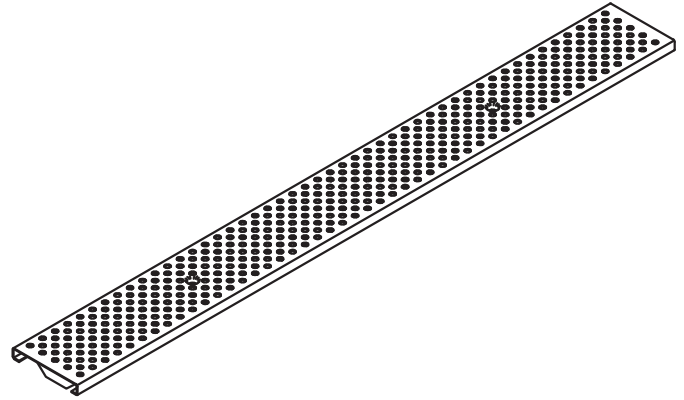
600 Series Double  
Galvanized Steel Perforated

PROJECT ID/ CONTRACT NO: \_\_\_\_\_

LOCATION: \_\_\_\_\_

**ENGINEERING SPECIFICATION:**

POLYCAST® DG0646R Grate is designed for use in pedestrian areas to minimize heel hazard and prevent entrance of large objects. Grating locking device Part No. DA0642 (not shown) should be used and maintained secure. The grate has 17% (34in²) of open area. The grate is made of hot dipped galvanized 14 gauge ASTM A36 Steel and weighs approximately 14lbs [6.35kg]. The grate is available in both 24" [610mm] and 48" [1219mm] lengths.



DIN APPLICATION LOAD CLASS C:  
Curb sides, highway shoulders, and parking areas  
Designed for a distributed pressure of 56,200 lbs (250 kN).

Meets the following Standards & Specifications:

- DIN 19580 / DIN EN 1433 Drainage Channels for Vehicular and Pedestrian Areas
- The Americans with Disabilities Act of 1990: 4.5.4
- ASME A112.6.3: Section 7.12 Heel Resistant Strainers and Grates
- Australian Standard AS 3996-2006 Clause 3.3.6



www.polycastdrain.com  
Toll Free Number:  
1-800-346-3062